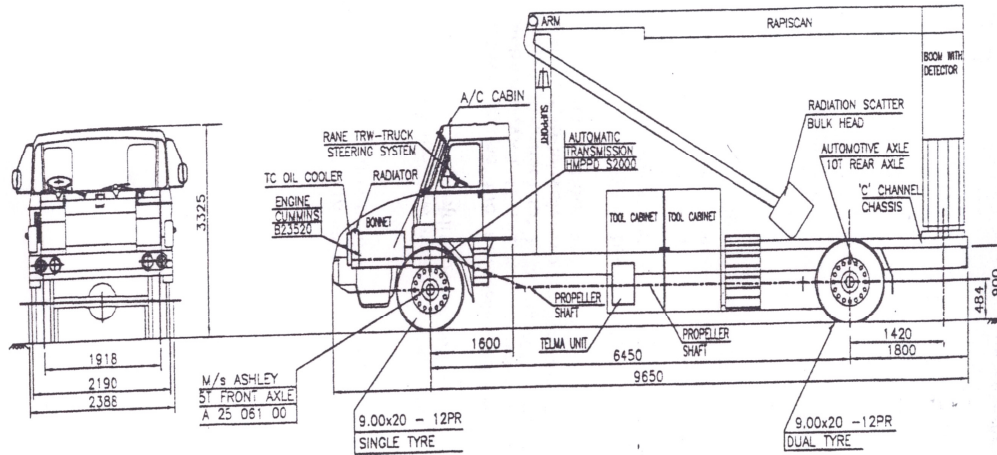


BEML TRUCK 4x2 FOR MOUNTING RAPISCAN SCANNER UNIT

Special truck chassis 4x2 is designed with two wheel drive for mounting scanner unit. Telma Electromagnetic Retarder is used for maintaining constant minimum speed of 2.88 kmph (0.8m/s) for scanning purpose.



Specifications

Engine	BEML BS6D 125-1 with euro-II certification alternatively Cummins B235 -20 Engine with euro-II, water cooled 6 cylinders, inline turbocharged.
Rated Horsepower	225 HP @ 2200 rpm / 232 HP @ 2500 rpm
Transmission	Allison automatic with 5 Forward and 1 Reverse Speed with Torque Converter oil cooler and Electrical gear shifting.
Axles	AL 5T steerable front axle MS 109, drive axle capacity 7000 kgs
Suspension	
Front	Front leaf spring with shock absorber
Rear	Air suspension with shock absorber with automatic height control system
Tyres	9.00 x 20.00 – 12 PR – 4 tyres